



FRIGIDAIRE

INTERNATIONAL

Factory Parts Catalog

Product No.	MRTS23V9PF1
Series	R134a System
Color	stainless
Volts	220
Wiring Diagram	241845601
Owner's Guide	808158901
Market	Export
Energy Guide	242224768
Service Data Sheet	240506509
Installation Instructions	240568304

INTERNATIONAL

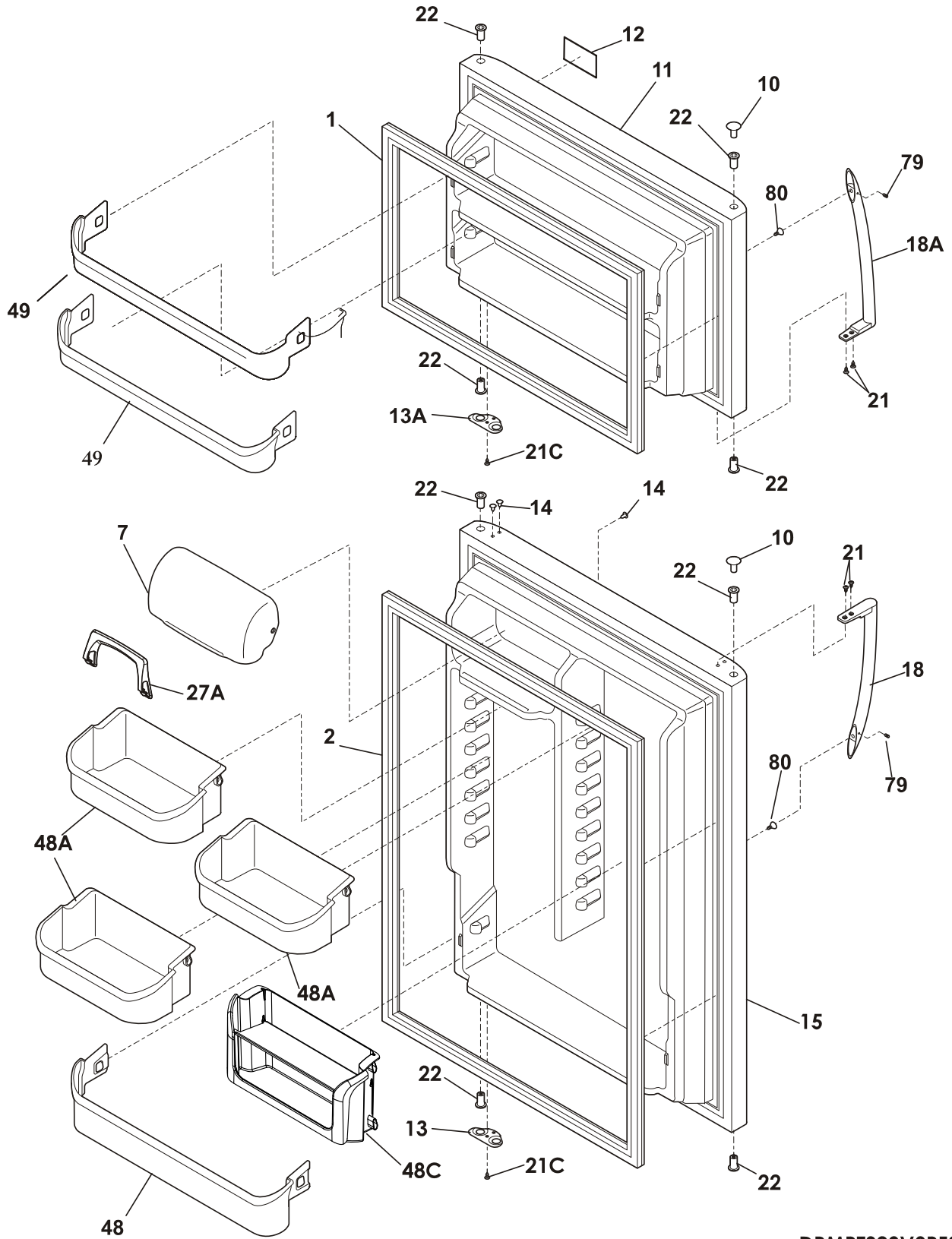
P.O. BOX 8020
CHARLOTTE, NC 28262

Publication No.
5995673976
16/03/18
(EN/SERVICE/CW)
390

TOP-MOUNT REFRIGERATOR

Model No.
MRTS23V9P

DOOR

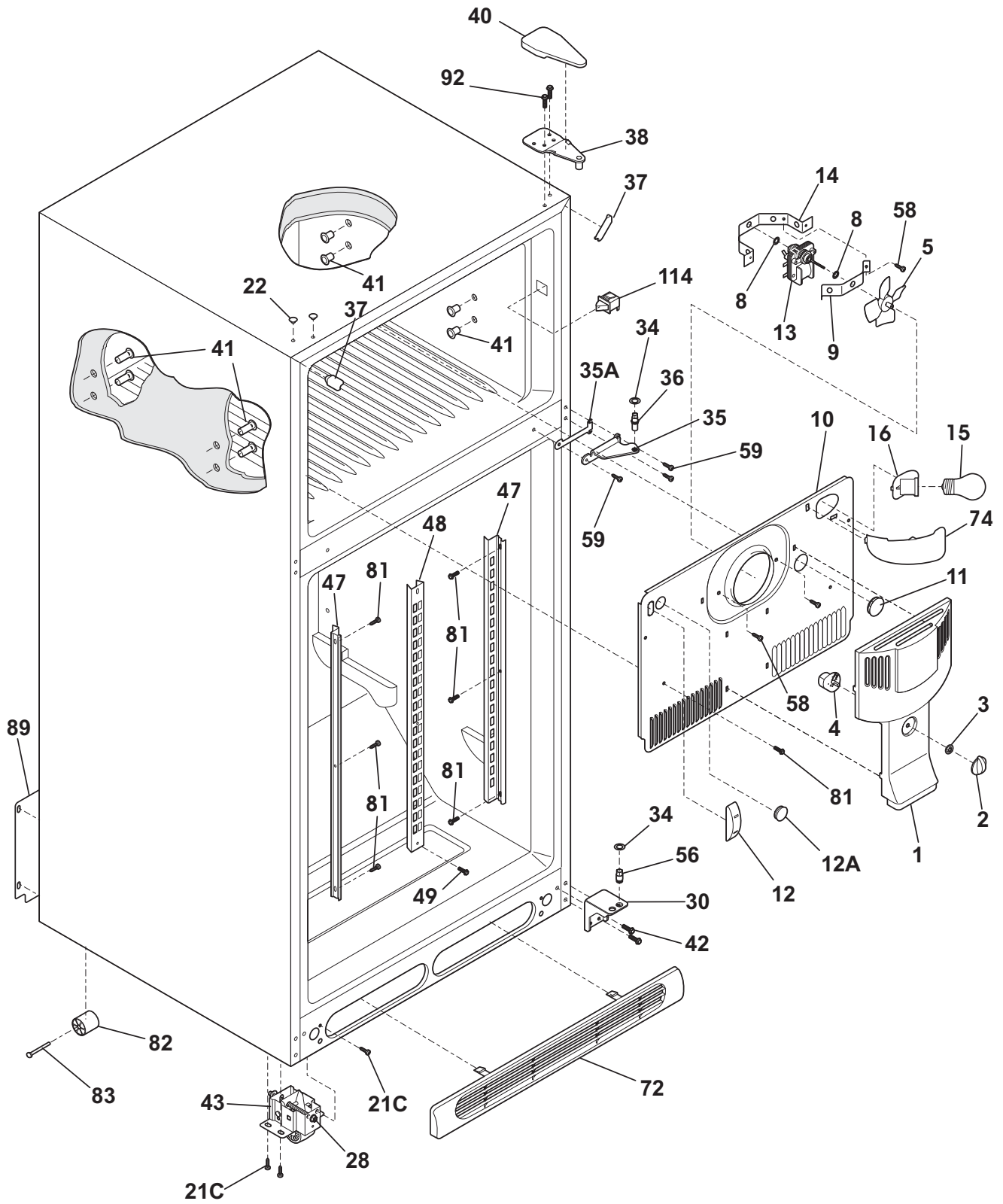


DRMRTS23V9PF0

DOOR

POS. NO	PART NO.	DESCRIPTION
1 #	242193205	Gasket-frzr door, white, magnetic
2 #	242193213	Gasket-refr door, white, magnetic
7	240338303	Door, dairy, clear
10	240381306	Plug-button, silver mist, hinge brg hole
11	242178001	Door-frzr, stainless, complete assy
12	137095500	Anchor, nameplate
13	240312405	Door Stop, black, refr
13A	240312415	Door Stop, black, frzr
14	240494006	Plug-button, silver mist
15	242178114	Door-refr, stainless, complete
18	241977501	Handle-door, stainless, refr-RH/frzr-LH
18*	241601001	Wrench, allen
18A	241977502	Handle-door, stainless, refr-LH/frzr-RH
21C	218252201	Screw, #8 truss hd, 10-32CA x 0.500
22	240527102	Bearing-hinge, black
25	5308000716	Dish, butter
26	3204522	Container, egg
27A	241812702	Retainer, tall bottle
48	240338101	Bin-door
48A	241808227	Bin-door, gallon
48A*	241804822	Bin-liners
48C	242088303	Bin-door, left over
49	240495805	Bin-door, pseudo, frzr
79	218755402	Screw-set, 10-32 x .500 in
80	218755504	Screw, shoulder, #10-AB, handle mounting

CABINET

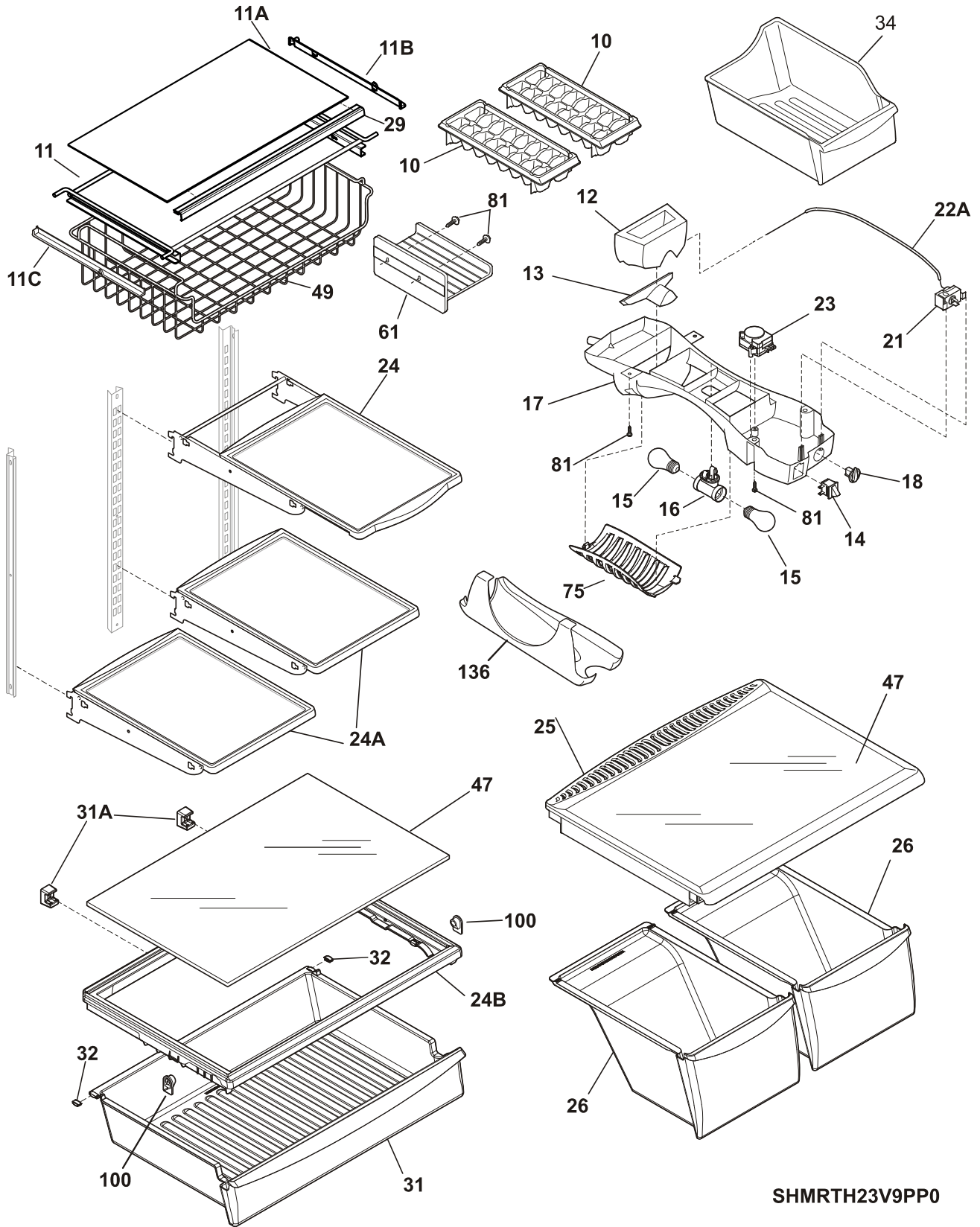


N05BAAABC7

CABINET

POS. NO	PART NO.	DESCRIPTION
1	240355407	Cover-fan
2	240367001	Knob-damper control
3	5303212803	Nut
4	240367401	Damper-fan cover
5	5308000010	Fan Blade, red, evaporator fan
8	242014101	Bushing-motor mtg, (2)
9	5303292396	Bracket-motor mtg, front
10	240313611	Cover-evap coil, w/light
10*	240568606	Seal-coil cover
10*#	241832401	Harness-wiring
11	5303208309	Plug-hole, factory test
12	242193602	Plug-hole, icemaker
12A	240374401	Plug-wtr inlet tube, round, 1"
12A*	241586701	Plug, round, foam, ice maker, water inlet
13 #	241832301	Motor-evap fan
13*	215474201	Washer, "slinger", nylon, evap fan shaft
14	5303292397	Bracket-motor mtg, rear
15 #	218095502	Light Bulb/Lamp
16 #	218971501	Socket-light/lamp
21C	218252201	Screw, #8 truss hd, 10-32CA x 0.500
22	215774920	Plug button, silver mist
28	240335502	Bolt-roller adj, hex washer head, 1/4-20 x 4.020, (2), special
30	240314003	Bracket-lower hinge, black
34	240311303	Washer, hinge, nylon, (2)
35	240313802	Bracket-ctr hinge, white
35A	240336802	Spacer-hinge, center, white
36	240516402	Pin-center hinge
37	242161206	Trim-cabinet corner, gray, (2)
38	240313703	Bracket-upper hinge
40	240354406	Cover-upper hinge, silver mist
41	5308009759	Grommet, shelf mtg, 1.25", LH, (4)
42	240578902	Screw, hex head, 1/4-20 x 5/8
43	240335005	Roller Assy, adjustable, front, (2)
47	218233302	Channel-shelf mtg, side, (2)
48	5304486289	Channel-shelf mtg, center
49	218362501	Screw, hex washer head, 8-18AB x 1.250, spacer, (2)
56	240516502	Pin-lower hinge
58	240433204	Screw, hex washer head, 8-18 x 5/16
58*	5304456287	Screw, hex washer head, 8-15A x 0.500
59	240442708	Screw-#10-32 X 3/4, white
72	241839412	Grille/Kickplate, silver mist
81	5304455650	Screw, hex washer head, 8-15A x 0.625, Low Profile
82	5304418225	Roller, compressor base, rear, (2)
83	5304455655	Rivet, flat head, 1/4 OD x 1-3/4, roller pin
89	241736402	Cover-access, w/label
89*	241500303	Screw, hex washer head, 8-18AB x 1/2
92	241710601	Screw, hex washer hd, 1/4 x 7/8, hinge mtg
114	240505801	Switch, light/lamp
*	218990901	Clip-wire

SHELVES

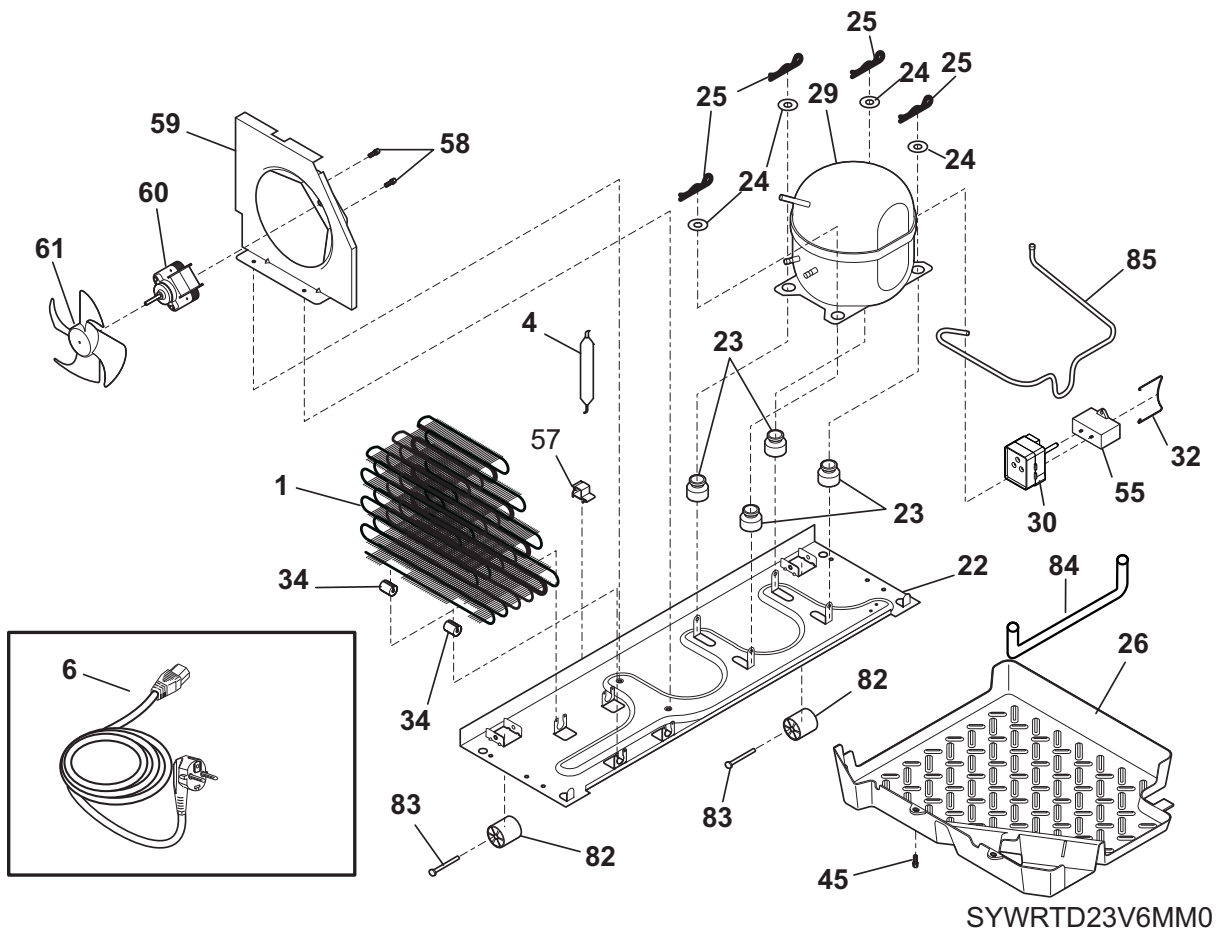
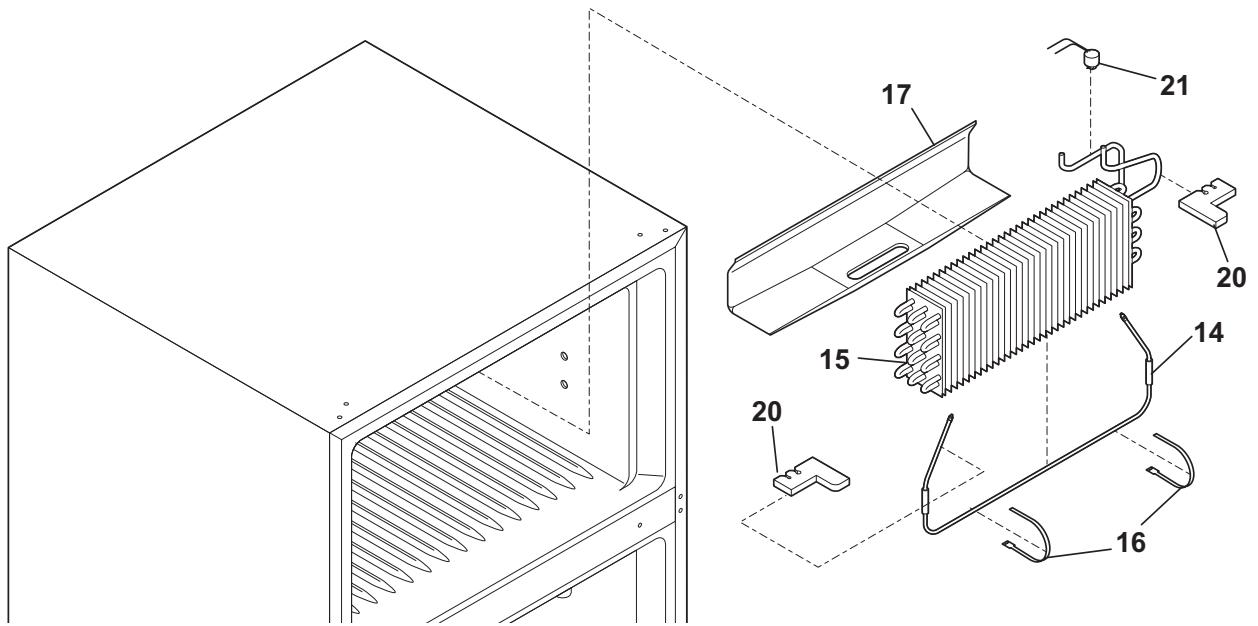


SHMRTH23V9PP0

SHELVES

POS. NO	PART NO.	DESCRIPTION
10	215667501	Tray, ice cube, plastic
11	242087803	Frame-shelf, full width
11*	5303299664	Spacer, shelf
11A	242087901	Glass-shelf, full shelf
11B	241848701	Cover, hanger rh, wire basket
11C	241848702	Cover, hanger lh, wire basket
12	240545901	Diffuser-air, top
13	240362601	Diffuser, air, bottom
14 #	241554901	Switch-light/lamp
15 #	218095502	Light Bulb/Lamp
16 #	218971501	Socket-light/lamp
17	240368103	Box-control, front
17*#	242081702	Wiring Harness, control box
18	240360801	Knob, temp control
21 #	5304458021	Control, temperature
22A	240468201	Tube, sensor sleeve, 31 inch, plastic, white
23 #	242011004	Control-defrost, adaptive timer, 220/240 V, PC board
23*	5304455649	Screw, pan hd, 6-20 x 0.438
24	240350143	Shelf-"Spill-Safe", cantilever, sliding
24B	242205402	Cover, deli pan, full width
25	242201803	Cover-crisper pan
26	242218504	Pan, crisper, (2), w/humid cntl
26	242218506	Pan, crisper, (2), w/humid cntl
26*	240349801	Clip-slide, pan
27	242215901	Slide, humidity contrl
29	242110902	Trim-shelf, front
31	242322203	Meat Pan, FW pantry, w/slide clips
31A	242205501	Support-shelf, FW pantry, rear
32	240362101	Clip-slide, cover
34	240385201	Container, ice bin
47	240350609	Insert-pan cover, glass
49	241833201	Basket-sliding, full sliding, wire, frzr
61	215781501	Shelf, ice tray mount, wire
75	240412702	Shield, light
81	5304455650	Screw, hex washer head, 8-15A x 0.625, Low Profile
85B	241872203	Support-Beam
100	241768601	Support-crspr cover
136	241657701	Dispenser-can, white

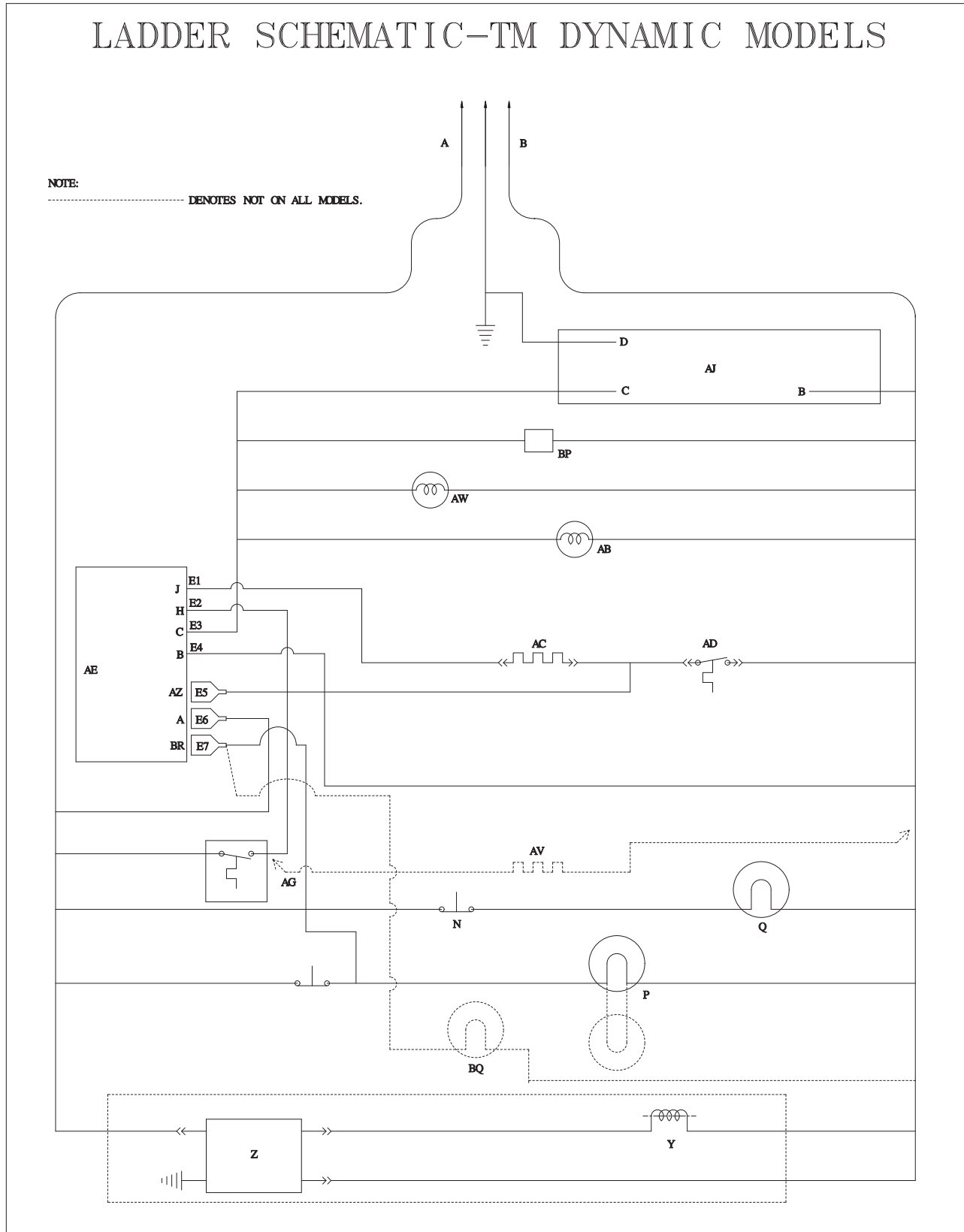
SYSTEM



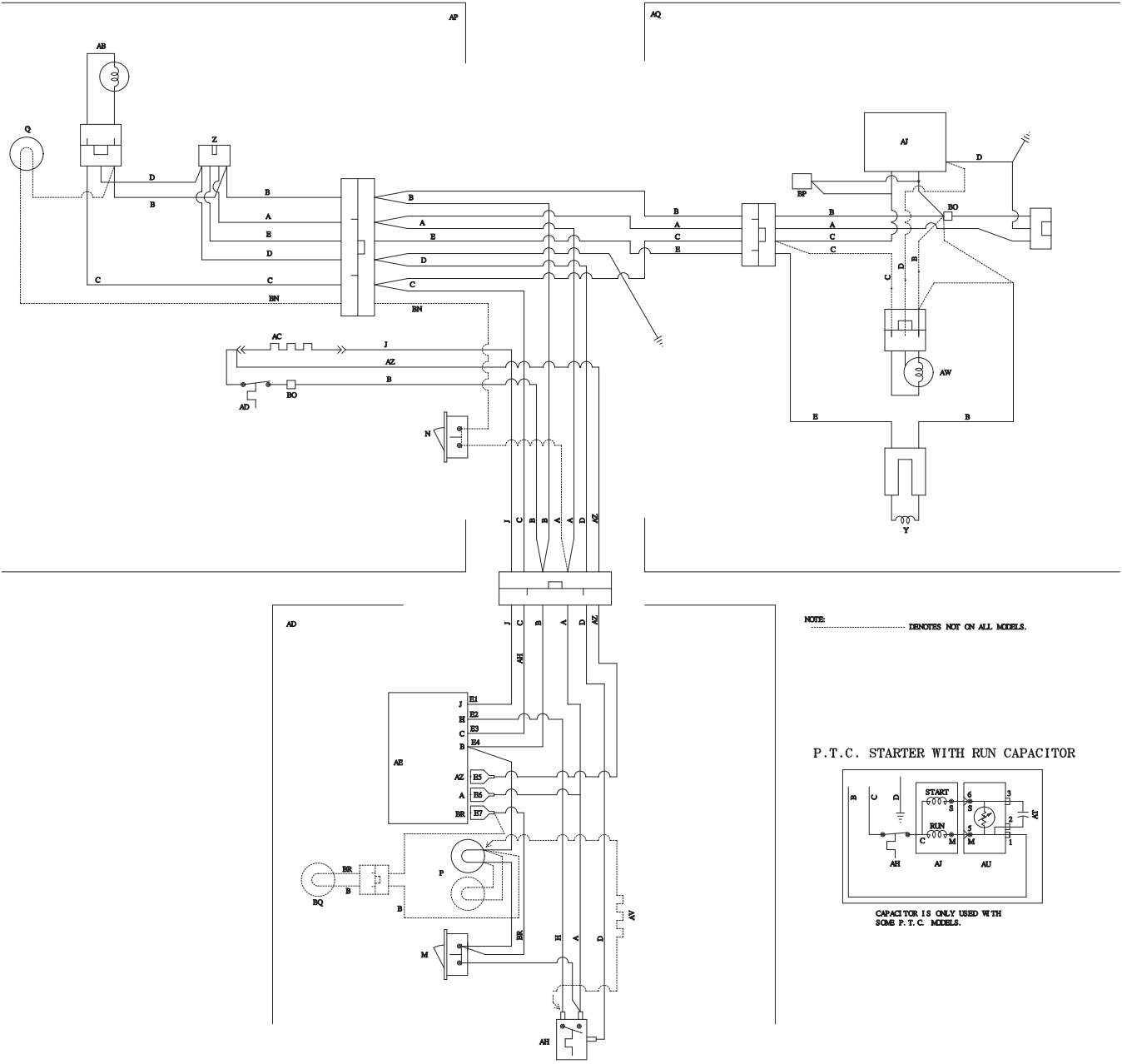
SYSTEM

POS. NO	PART NO.	DESCRIPTION
1 #	241785403	Condenser, dynamic
4 #	242047603	Dryer-filter
6 #	241723307	Cord-service, Britain
6* #	241626401	Harness-wiring, machine compt
6* #	241735901	Bracket Assembly, receptacle, service cord
6* #	241832401	Harness-wiring
14 #	240356218	Defrost Heater, 220 V
15 #	5303918274	Evaporator Kit
16	5308000110	Strap-evap/heater, aluminum, (2)
17	241801301	Trough-drain
20	241551902	Insulation Block
21 #	5303918202	Thermostat-defrost, kit
22	241665504	Base-compressor
22*	218252201	Screw, #8 truss hd, 10-32CA x 0.500
22*	218709101	Screw, hex head, 10-32 x 0.500
23	218513300	Grommet-compr mtg, (4)
24	241812301	Washer-compr mtg
25	242037701	Clip-compressor mtg
26	241697602	Pan-defrost
29 #	240550927	Compressor
30 #	241707714	Starter-PTC
32	241809001	Clamp, elec cont mtg, compressor
34	240405201	Grommet, rubber, black, cond tube/wire
45	5304455650	Screw, hex washer head, 8-15A x 0.625, Low Profile
55 #	218909908	Capacitor, run
57	240542601	Clip-wiring harness
58	218897002	Screw, hex washer head, 8-32 x 0.375
59	241935603	Shroud, cond fan motor
59*	240346701	Tape-foam seal, shroud
59*	240359403	Screw-fan shroud, (2)
60 #	241696603	Motor-condenser fan
61 #	240524102	Fan Blade, condenser fan
82	5304418225	Roller, compressor base, rear, (2)
83	5304455655	Rivet, flat head, 1/4 OD x 1-3/4, roller pin
84	240597301	Tube-drain, lower
85	241856901	Tube-connector, suction
*	240396801	Clamp, tube/wiring, nylon, black/natural

WIRING SCHEMATIC

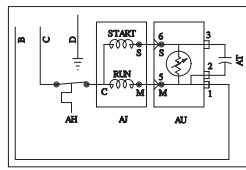


WIRING DIAGRAM



NOTE: DENOTES NOT ON ALL MODELS.

P.T.C. STARTER WITH RUN CAPACITOR



CAPACITOR IS ONLY USED WITH SOME P. T. C. MODELS.

241845601